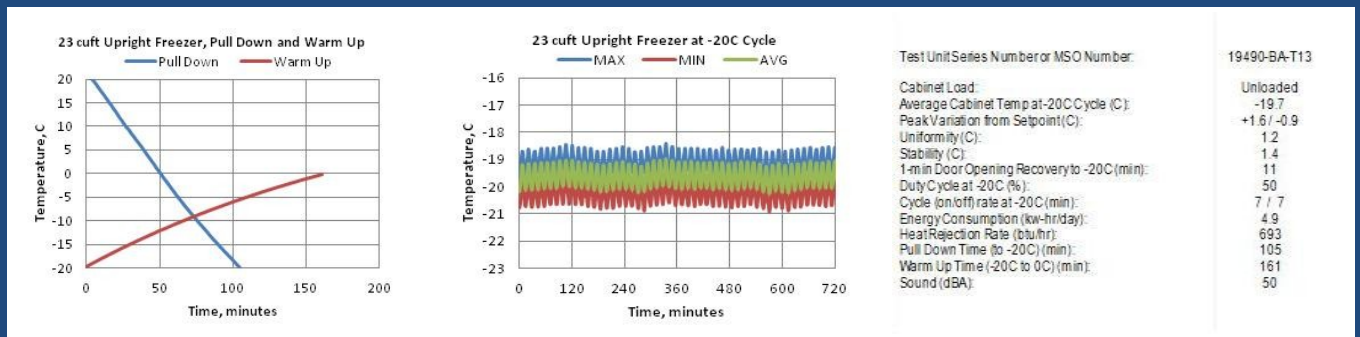




Technical Data Sheet
Thermo High Performance Enzyme Freezer
 MODEL RELEASE - 1
 Thermo Fisher Scientific, Asheville, North Carolina

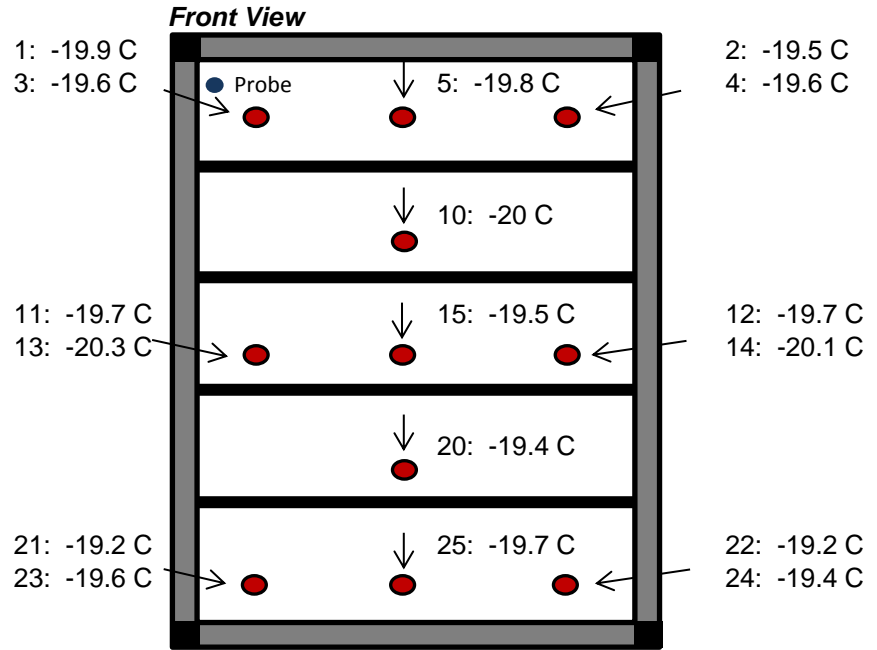
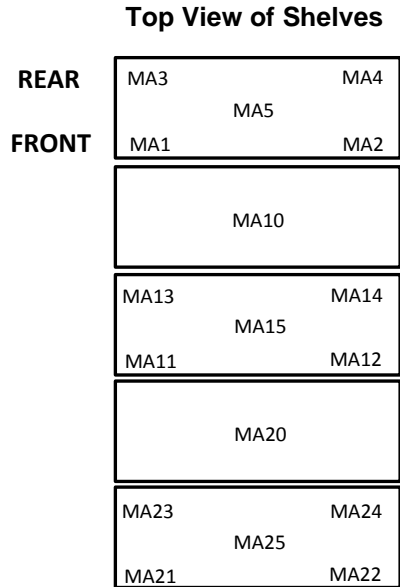
Specifications	Model Number
Application, Rating and Electrical Data	
Application	Enzyme (non-flammable) Freezer
Storage Volume	659 Liters/23.3 Cubic Feet
Factory Temperature Setpoint	-20°C
Temperature Setpoint Range	-30°C to -15°C
Electrical Power / Rated Current	208-230V 50/60 Hz 1 Phase / 2.5A
Building Supply Rating	15.0A dedicated grounded non-GFCI circuit. Protected by circuit breaker rated for inductive loads.
Power Plug/Power Cord Length	16 Amp (CEE 7/7) / 3.048 Meters (10 feet)
Agency Listings	UL,cUL,CE
Indoor/Outdoor Usage	Indoor Use Only
Application Environment	Non-Corrosive, Non-Flammable, Non-Explosive, Good Air Ventilation
Ambient Operating Temperature	15° C - 32° C (60° F - 90° F)
Refrigeration Configuration	
Refrigeration System	Vapor compression system
Compressor / Quantity / Capacity*	Hermetic Variable Capacity Compressor / 1 / 525W
Condenser Type/ Quantity	Microchannel and Forced-Air Cooled / 1
Expansion Device	Capillary Tube
Evaporator Type / Defrost Method	Cold Wall With Enhanced Heat Transfer Treatment / Manual Defrost
Refrigerant Charge/Flammability	Environmentally Safe R290 / Flammable
Controller/Electrical System Configuration and Features	
Controller Level	Eye Level
Power Switch	Keyed Off-On - Alarm
Controller Type	IntrLogic Control System: Digital display, Graphic thermometer
Setpoint Security / Programmable	Yes / Yes
Compressor Safe Guard	Current Protection
Control Sensor	Single RTD (1000 ohm shielded Platinum RTD)
Remote Alarm Terminals	Standard
Adjustable Warm/Cold Alarms	Fully Adjustable
Power Failure Alarm	Standard
Electronic Chart Recorder	Optional
Dimensions and Construction	
Interior Dimensions (H x D x W)	1473 H x 725 D x 610 W mm (58 H x 28.6 D x 24 W in.)
Exterior Dimensions (H x D x W)	1994 H x 936 D x 711 W mm (78.5 H x 36.9 D x 28 W in.)
Insulation	5.08 cm (2.0") High Density HFC-blown Polyurethane Foam in cabinet
Door Perimeter Heater	Yes
Shelves / Capacity	(9) Adjustable Wire Shelves / Max. Cap. per Shelf: 45 kg (100 lbs.) / Max. Total Cap.: 340 kg (750 lbs.)
All-Direction Casters	Yes
Ship Weight	216 kg / 476 lb

Typical Performance Characteristics in 20° C Ambient



- 1) Performance is nominal and individual units may vary.
- 2) Freezer performance will differ due to product amount, product size and operating conditions.
- 3) Continuous product enhancements may, without notice, result in amendments or omissions to this specification. Thermo Scientific cannot accept responsibility for damage, injury, loss or expenses resulting from misapplication of the information herein.

* Manufacturer measured compressor capacity taken at -35C/40C(evap./cond.temp) at 4500 rpm condition.



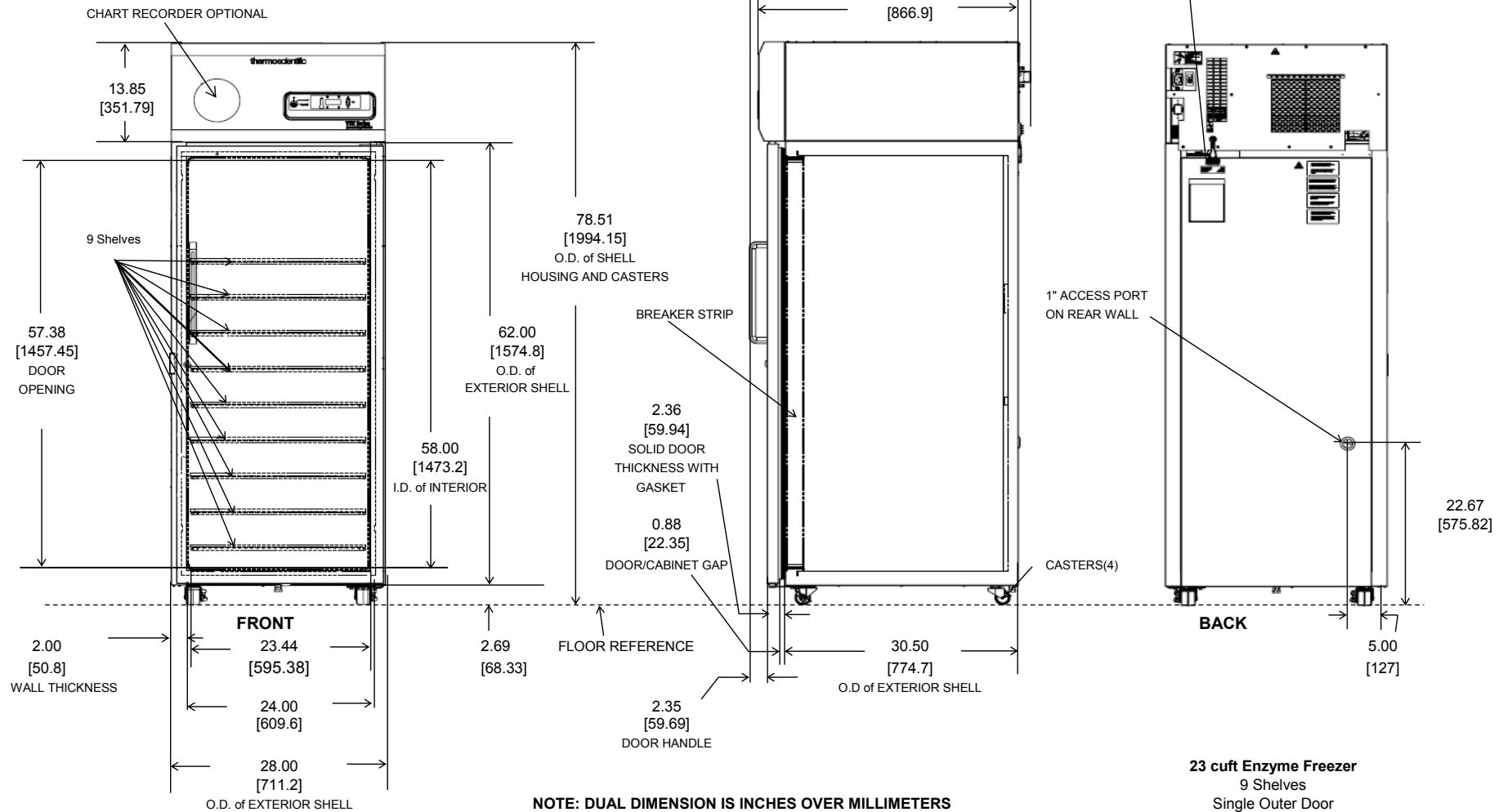
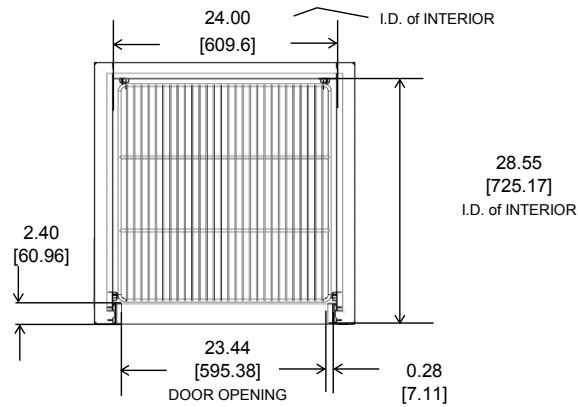
Cabinet Average: -19.7 C
Probe Average: -22.3 C
Peak Variation: +1.6 C / -0.9 C

19490-BA-T13

	MA1	MA2	MA3	MA4	MA5	MA10	MA11	MA12	MA13
Avg	-19.9	-19.5	-19.6	-19.6	-19.8	-20.0	-19.7	-19.7	-20.3
Max	-19.0	-18.8	-18.7	-18.7	-19.0	-19.3	-19.1	-19.1	-19.7
Min	-20.9	-20.1	-20.5	-20.5	-20.7	-20.6	-20.1	-20.2	-20.9

	MA14	MA15	MA20	MA21	MA22	MA23	MA24	MA25
Avg	-20.1	-19.5	-19.4	-19.2	-19.2	-19.6	-19.4	-19.7
Max	-19.5	-19.0	-18.9	-18.6	-18.4	-18.8	-18.7	-19.0
Min	-20.8	-20.0	-19.9	-19.8	-19.8	-20.5	-20.0	-20.3

ONLY CABINET SHOWN FOR CLARITY IN TOP VIEW,
TO ILLUSTRATE INTERIOR DIMENSIONS



NOTE: DUAL DIMENSION IS INCHES OVER MILLIMETERS
DO NOT USE FOR ENGINEERING PURPOSES. SUBJECT TO CHANGE WITHOUT NOTICE.

23 cuft Enzyme Freezer
9 Shelves
Single Outer Door
Top Mount Controls